



CTI



REFRIGERATOR ACCESSORIES



NINGBO ETDZ.HUIXINGTRADE CO.,LTD.

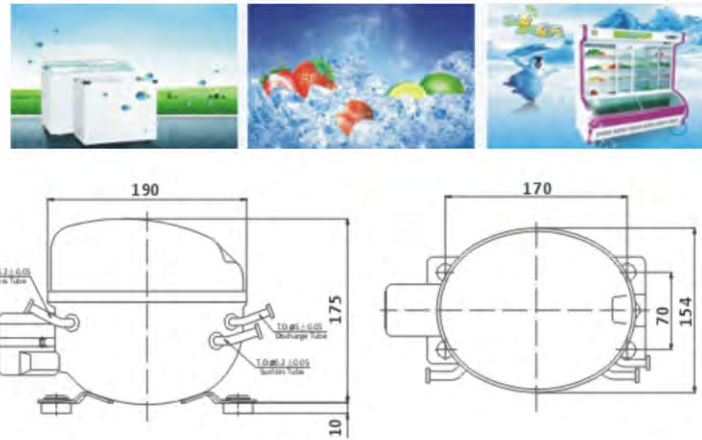
Add:10F,Dep7,ShanShan Plaza,No.777 RiLi Road,Ningbo,China

Tel: 86-574-87161687 /// Fax:86-574-87149207

www.huixingtrade.com



HW Series



R600a Series LBP Compressor

Model	Refrigeration	Power Supply V/Hz	Capacity cm ³	Horse Power HP	Current A	Cooling Capacity		C.O.P W/W	Motor Type	Cooling	
						W	But/H				
QD76Y	R600a	220-240/50	7.6	1/8	0.69	131	447	1.41	RSIR	S	
QD91YG			9.1	1/7	0.80	156	532	1.46	RSIR	S	
QD103YG			10.3	1/6	0.92	168	573	1.46	RSIR	S	
QD110YG			11	1/6	1.00	185	631	1.46	RSIR	S	
QD142YG			14.2	1/5+	1.20	246	839	1.56	RSIR	F	
QD153YG			15.3	1/4	1.30	267	911	1.56	RSIR	F	
QD52Y11G			110-115/60	5.2	1/9	1.00	98	334	1.35	RSIR	S
QD76Y11G				7.6	1/7	1.25	150	512	1.45	RSIR	S

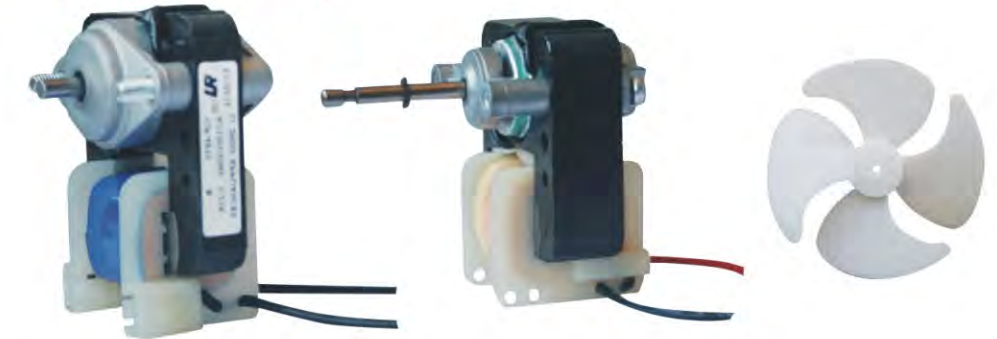
HQ Series



R134a Series LBP Compressor

Model	Refrigeration	Power Supply V/Hz	Capacity cm ³	Horse Power HP	Current A	Cooling Capacity		C.O.P W/W	Motor Type	Cooling	
						W	But/H				
QD65	R134a	220-240/50	6.5	1/5+	1.2	168	573	1.27	RSIR	S	
QD76HG			7.6	1/4-	1.3	188	641	1.28	RSIR	S	
QD110HG			11	1/3	1.90	280	955	1.32	RSIR	F	
QD128HG			12.8	3/8	2.20	320	1092	1.35	RSIR	F	
QD142HG			14.2	1/2	2.50	360	1228	1.35	CSIR	F	
QD153HG			15.3	1/2	2.80	390	1331	1.35	CSIR	F	
QD65H11G			110-115/60	6.5	1/4-	2.03	195	665	1.25	RSIE	S
QD76H11G				7.6	1/4	2.32	210	717	1.28	RSIR	S
QD91H11G				7.6	1/4	2.32	210	717	1.28	RSIR	S
QD110H11G	11	1/3+	3.50	300	1024	1.21	RSIR	F			

HJF Series (w/fan)



Shaded-pole motor

Model	Size A (mm)	Voltage (V)	Frequenc y (Hz)	Loading performance			
				Input current (A)	Input power (W)	speed (r/min)	torgue (g·cm)
HJF48-10/1	10	220-240	50	0.07	7	2100	5
HJF48-10/2	10	100-120	60	0.09	7	2200	5
HJF48-12/1	12	220-240	50	0.13	13.5	2300	30
HJF48-12/2	12	100-120	60	0.18	13	2500	30
HJF48-15/2	15	100-120	60	0.21	18	2450	80
HJF48020	20	220-240	50	0.18	20	2400	90

1. Insulation class, such as E, B, F, H, can be designed by customer's requirements.
2. Rotation direction, lead wire, diameter and length of output shaft can be designed by customer's requirements.

Filter Drier

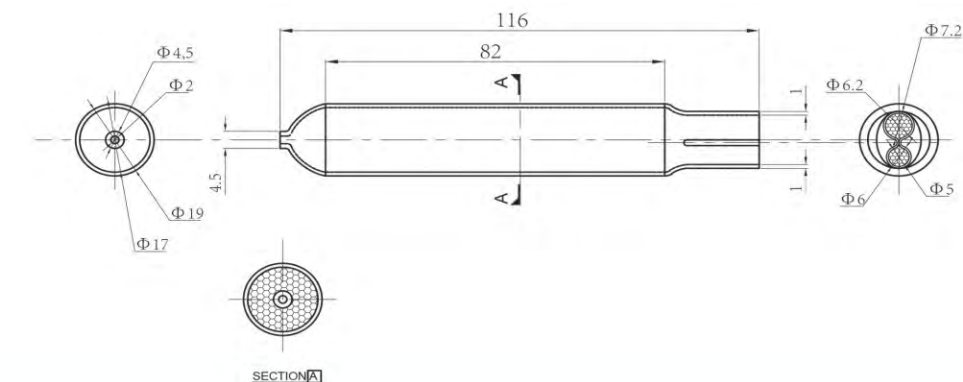


HXQW-FT003

HXQW-FT001

HXQW-FT004

HXQW-FT005





HDF series

Model	Operating temperture(°C)						Limit (°C)	Capilly (mm)
	W		N		C			
	ON	OFF	ON	OFF	ON	OFF		
HDF14	6	2	6±1.5	-8±1.5	6	4	80	650±30
HDF24	3.5±1	-8.5±1.5	3.5±1	-16±1.5	3.5±1	-24	80	600±30
HDF27	3.5±1	-8.5±1.5	3.5±1	-19±1.5	3.5±1.5	-27±2	80	600±30
HDF30	5±1	-12±2			5±1	-12±2	80	520±30



HDF-K series

Model	Operating temperture(°C)						Switch	Limit (°C)	Capilly (mm)
	W		N		C				
	ON	OFF	ON	OFF	ON	OFF			
HDF124-K	3.5±1.5	-8±2	——	——	3.5±1.5	-24±1.5	2b	80	1200±50
HDF19.1-K	5.2±1.5	-6.2±2	——	——	5.2±1.5	-19.1±1.5	2b	80	900±50
HDF22-K	5±1.5	-13.5±2	——	——	5±1.5	-22±1.5	2b	80	1000±50
HDF25-K	3.5±1.5	-15±1.5	——	——	3.5±1.5	-25±2	2b	80	1000±50



WP series(with singnal control)

Model	Operating temperture(°C)						Signal ON	Capilly (mm)
	W		N		C			
	ON	OFF	ON	OFF	ON	OFF		
HDF33.6-X	-14±1.5	-19±1.5	——	——	——	-33.6±2.2	W:-10±2	1200±50
HDF33.2-X	-13.8±1.5	-19.8±1.5	——	——	——	-3.2±2.2	W:-8±2	900±50
HDF35.6-X	-15.2±1.5	-20.2±2	——	——	——	-35.6±2.2	W:-12±2	1000±50
HDF34.6-X	-15.3±1.5	-22.3±1.5	——	——	——	-34.6±2.2	W:-10±2	1000±50



HCB-W19-29

Product function

- Temperature range: -36°C- +42°C
- Setting of refrigerated storage temperature and working mode,LED display
- Sensing head failure warning
- Fault-tolerant operation mode
- On/Off function
- Button warning tone,open warning tone,vertime open door alarm
- Compressor delay start protect function
- Incandescent lamp control output(illumination,power compensation)
- Self-checking,commodity inspection program
- Power off memory function

Rating voltage	AC 220V/50Hz
Operating voltage	AC 176V-264V
Operating temperature	-10°C-+70°C
Storage temperature	-40°C-+80°C
Humidity rang	RH 30%-95%
Standby power	≤0.5W



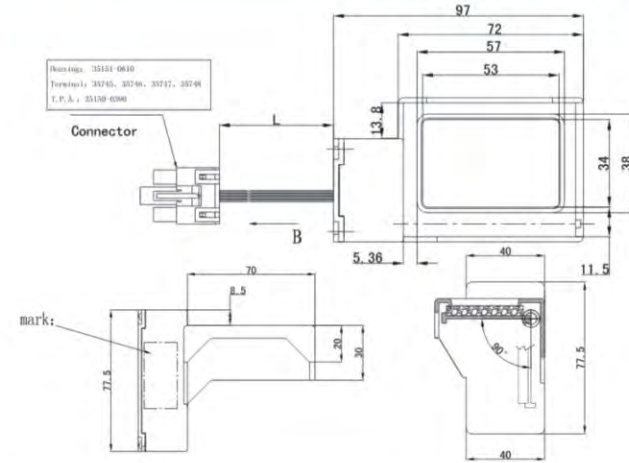
HCB-SL-001

Product function

- Four group of temperature sensors(freezer temperature sensor,freezer evaporator temperature sensor,display panel temperature sensor)
- Electric damper,damper heater.
- Defrost
- Frozen fan
- LED square panel
- Power memory
- Parameter setting mode,maintenance mode,hardware self-test mode.

Rating voltage	AC 220V/50Hz AC 115V/50Hz
Operating voltage	AC 176-264V
Operating temperature	-10°C-+70°C
Storage temperature	-40°C-+80°C
Humidity rang	RH 30%-95%
Standby power	≤0.5W

HDM-1004

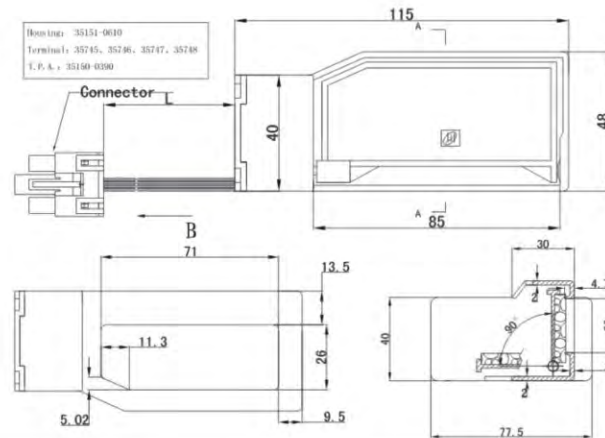


Motor rating	Rated voltage	DC 12V±1
	Frequency	300PPS
	Input current	< 60mA
	Excitation	2 phases
	Step Angle	7.5°/step
Heater		—————
Motor rating	Open→Close	1850 steps(including lock 100 steps)
	Close→Open	1750 steps
Operating angle		Plate/Output shaft about 0.05°/step
Operating time		Open-Close about 6.2s
Operating environment		-35°C-+40°C

Sensor & sensor connection



HDM-1005



Motor rating	Rated voltage	DC 12V±1
	Frequency	300PPS
	Input current	< 60mA
	Excitation	2 phases
	Step Angle	7.5°/step
Heater		—————
Motor rating	Open→Close	1850 steps(including lock 100 steps)
	Close→Open	1750 steps
Operating angle		Plate/Output shaft about 0.05°/step
Operating time		Open-Close about 6.2s
Operating environment		-35°C-+40°C



Lamp & lamp holder



HLM/HE-37

Input voltage	AC 220V
Frequency	50Hz
Power	< 0.8W
Cover material	PC
Beam angle	120°
LED quantity	4 pcs
LED package	Through hole
Luminous	≥25 LM
Color temperature	5000-7000K
Color render index	≥70



HLM/AM-04

Input voltage	AC 220V
Frequency	50Hz
Power	< 1W
Cover material	PC
Beam angle	120°
LED quantity	4 pcs
LED package	SMD 2835
Luminous	≥40 LM
Color temperature	6000-8000K
Color render index	≥70



HLM/WX-01

Input voltage	AC 220V
Frequency	50Hz
Power	< 1W
Cover material	PC
Beam angle	120°
LED quantity	6 pcs
LED package	SMD 2835
Luminous	≥60 LM
Color temperature	5000-7000K
Color render index	≥70



HT007XT5

Input voltage	DC 12V
Frequency	-
Power	< 1W
Cover material	PC
Beam angle	120°
LED quantity	7 pcs
LED package	600pcs/ctn
Luminous	≥40 LM
Color temperature	6000-6500K
Color render index	≥60



HLM/GL-05

Input voltage	DC 12V
Frequency	-
Power	< 1.5W
Cover material	-
Beam angle	120°
LED quantity	4 pcs
LED package	SMD 5050
Luminous	≥40 LM
Color temperature	8000-12000K
Color render index	≥70



HLMP/XX-01

Input voltage	AC 220V
Frequency	50Hz
Power	< 1W
Cover material	-
Beam angle	120°
LED quantity	12 pcs
LED package	SMD 2835
Luminous	120-140 LM
Color temperature	8000-12000K
Color render index	≥70



E14J
2A 250V AC



E14T
0.5A 250V AC



E14S
2A 250V AC



LTK-1
0.5A 250V AC 3PINS



LTK-2
0.5A 250V AC 2PINS&3PINS



LTK-5
1A 250V AC 2PINS



LTK-6
0.5A 250V AC 4PINS

HTC-10

Temperature measurement range	-45°C-+85°C
Cabinet control range	-40°C-+ 50°C
Supply voltage	AC 220V±10%/50Hz
Overall power consumption	< 3W
Operating ambient temperature	0°C-55°C
Storage temperature	-25°C-+ 75°C
Storage humidity	20%-85%(no frosting)



Product function

Display resolution ratio:0.1°Cwithin -9.9°C-+9.9°C , other range 1°C
Temperature measurement accuracy:±1°C within -45°C-+ 50°C , ±2°C within 50°C-85°C

Port output capacity

refrigeration:30A/240V AV,normally open output,can directly drive single phrase 1.5HP(240VAC) load
Defrosting:natural defrost or electric heating defrosting is optional,need add defrost relay under electric heater defrosting,240V AC can control heating wire under 500W.

Dimension

Installation dimension:71x29 mm
Whole machine size:78.3x35.5x81 mm

Product Function

Compressor control and compressor startup protection
Parameter setting process,with power off memory,can one-key reset
Auto defrosting and manual defrosting,defrosting parameter can be adjusted
Sensor failure warning

tube-on-sheet evaporator

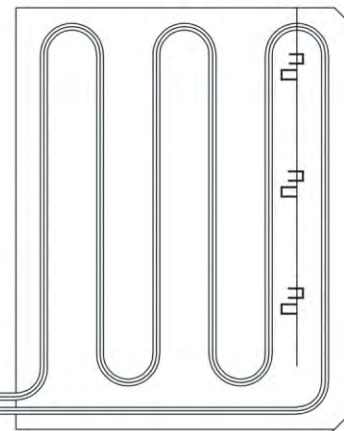


Raw material

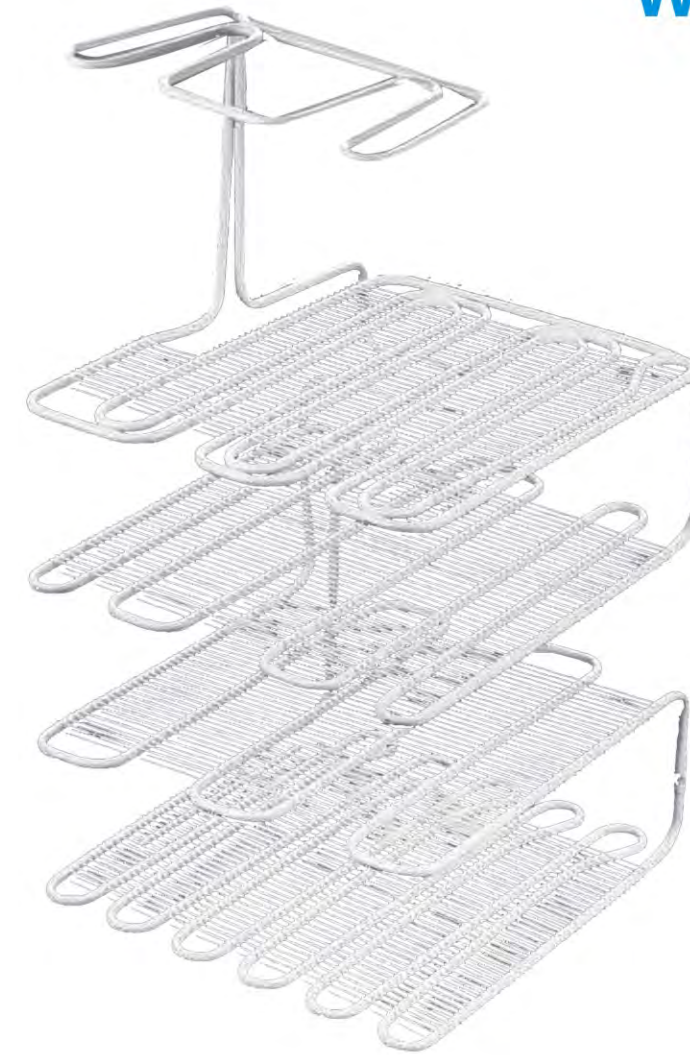
1. Aluminum tube/Copper tube: $\phi 6-\phi 10\text{mm}$
2. Aluminum sheet: $80.4-0.7\text{mm}$

Cooling system tube standards

Inner volume(cm^3)	$\leq 100\text{cm}^3$	101-200	101-400	401-800
Residual moisture(mg)	≤ 10	≤ 20	≤ 25	≤ 30
Residual impurity(mg)	$\leq 100\text{mg}/100\text{cm}^3$			
Biggest single impurity	$\leq 2\text{mg}$			



Wire tube evaporator

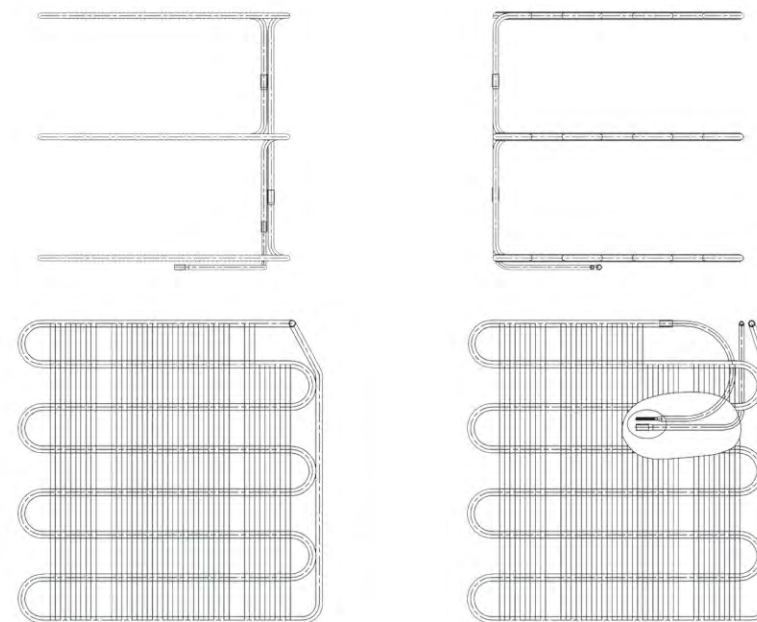


Raw material

1. Rolling welded steel pipe: $\phi 8 \times 0.71$, with wall thickness 0.7
2. low carbon steel wire $\phi 1.2-\phi 1.6\text{mm}$
3. Bracket: Steel plate(SPCC) thickness 0.6-0.9mm

Specification of E-coating

- Coating thickness: Thickness of cathodic electrophoresis coating 15-20 μm
 Hardness of coating: $\geq 2\text{H}$
 Impact of coating: 50cmg.kg/cm
 Adhesion of coating: ≥ 2 grade
 Flecibility of coating around: $R=3\text{D}$ bend 180°
 Corrosion resistant(Salt spray GB2423):
 1. Cathodic electrophoresis coating $\geq 72\text{h}$
 2. Powder painig $\geq 200\text{h}$



Fin type evaporator

Raw material

Aluminum tube

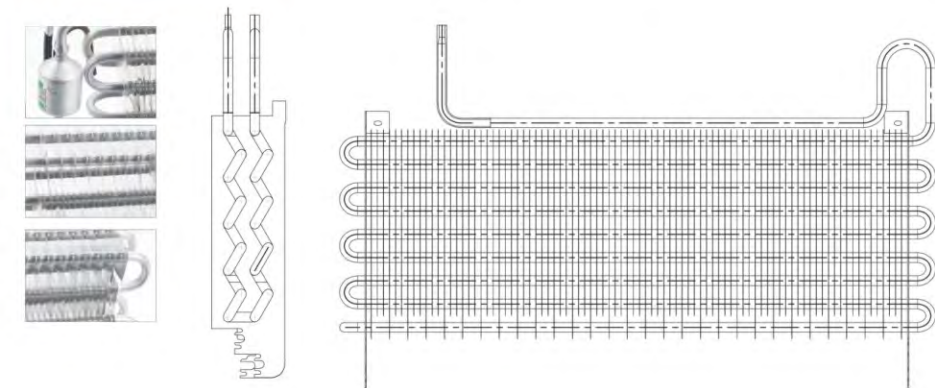
1. Aluminum tube: $\phi 8.0 \times 0.7 - 1\text{mm}$
2. Aluminum fin: Bare aluminum fin thickness: $0.15 - 0.25\text{mm}$
3. Side plate: Aluminum plate thickness: $0.8 - 1.5\text{mm}$

Copper tube

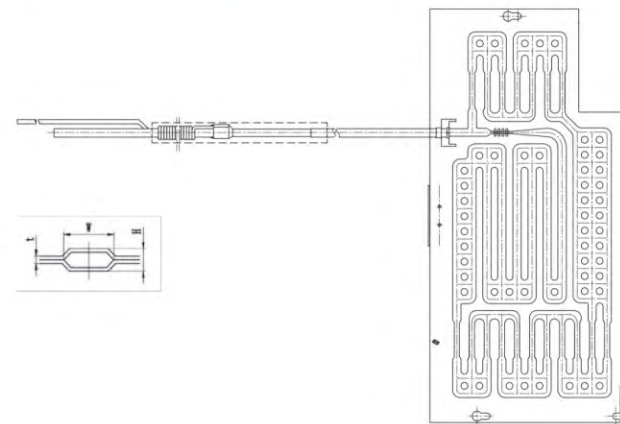
1. Copper tube: $\phi 8.0 - \phi 9.52$
2. Wall thickness: Inner smooth or inner grooved $T = 0.32 - 0.36\text{mm}$
3. Aluminum fin: Bare aluminum fin thickness: $0.13 - 0.25\text{mm}$
4. Side plate Aluminum plate thickness: $0.8 - 1.5\text{mm}$

Cooling system tube standards

Inner volume(cm ³)	$\leq 100\text{cm}^3$	101-200	101-400	401-800
Residual moisture(mg)	≤ 10	≤ 20	≤ 25	≤ 30
Residual impurity(mg)	$\leq 100\text{mg}/100\text{cm}^3$			
Biggest single impurity	$\leq 2\text{mg}$			



Aluminum plate evaporator



Heating resistance

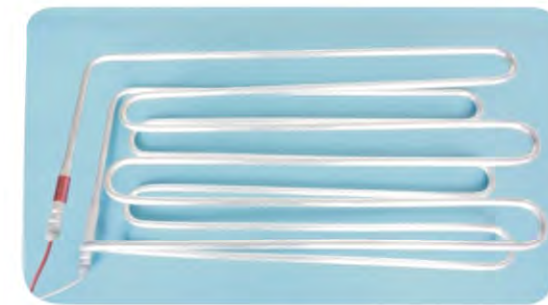


HR-1

	RLGV	RLGG
Electrical insulation	105°C PVC	silicon rubber
Dimension	any dimension on request	
Voltage	any voltage on request	
Output	up to 15W/m	up to 60W/m
Tolerance	$\leq \pm 5\%$	



HR-2



HR-3



HR-4

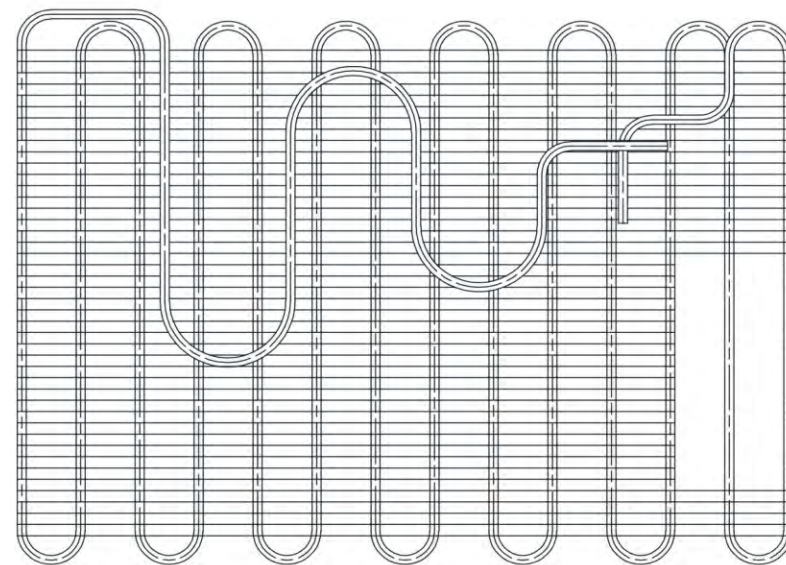
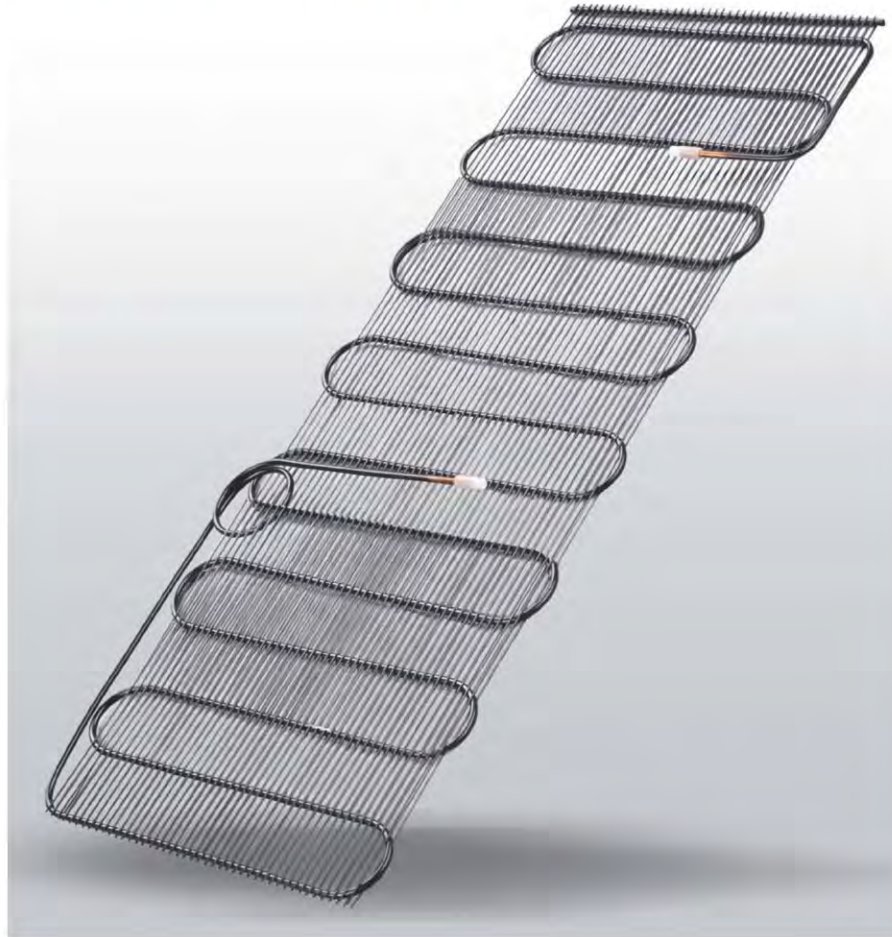


HR-5



HR-6

Wire tube condenser



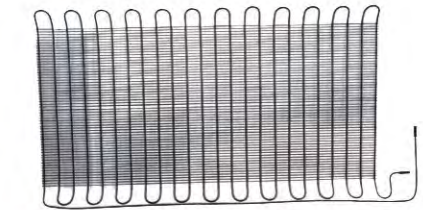
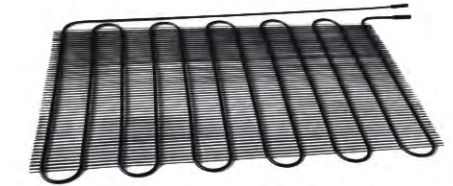
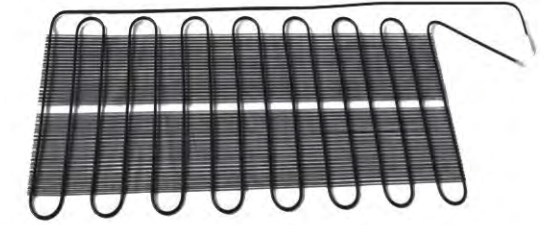
Wire tube condenser

Raw material

- 1.Rolling welded steel tube:φ4.76-φ8x0.71
- 2.Low carbong steel wire φ1.2-φ1.6mm
- 3.Brack:Steel plate(SPCC) thickness:T=0.6-2.0mm
- 4.Steel plate:SPCC thickness T=0.6-0.8mm

Specification of E-coating

- Coating thichness:Thickness of cathodic electrophoresis coating 15-20μm
- Hardness of coating:≥2H
- Impact of coating:50cmg.kg/cm
- Adhesion of coating:≥2 grade
- Flecibility of coating around:R=3D bend 180°
- Corrosion resistant:Salt spray GB2423
- Cathodic electrophoresis coating:≥72h



Other condensers



VCM & PCM



Accessories



SINGLE TOP OPEN DOOR

BD-108

Features

Ice pack	Optional
Interior lighting	Optional
Interior Glass Door	Optional
Store-more Removable Basket	1
Condenser(Interior/External)	Optional
Defrost water Drain	Yes
Lid handle	Yes
Lock&Key	Yes
Power-on light	Yes

Specifications

Total Capacity:	108L
Voltage Rating:	12V-24V/110V/220-240V
Refrigerant:	R134a
Product(W/D/H)	520*520*845
Packing(W/D/H)	562*570*880
Weight(Net/Gross)Kgs	30/34
Loading quantity(40HQ)	251 Sets

12-24V 110V 220-240V 50-60Hz



SINGLE TOP OPEN DOOR

BD-168

Features

Ice pack	Optional
Interior lighting	Optional
Interior Glass Door	Optional
Store-more Removable Basket	1
Condenser(Interior/External)	Optional
Defrost water Drain	Yes
Lid handle	Yes
Lock&Key	Yes
Power-on light	Yes

Specifications

Total Capacity:	168L
Voltage Rating:	12V-24V/110V/220-240V
Refrigerant:	R134a
Product(W/D/H):	735*535*845
Packing(W/D/H):	775*580*880
Weight(Net/Gross)Kgs:	35/38
Loading quantity(40HQ)	180 Sets

12-24V 110V 220-240V 50-60Hz



BD-158

Features

Ice pack	Optional
Interior lighting	Optional
Interior Glass Door	Optional
Store-more Removable Basket	1
Condenser(Interior/External)	Optional
Defrost water Drain	Yes
Lid handle	Yes
Lock&Key	Yes
Power-on light	Yes

Specifications

Total Capacity:	158L
Voltage Rating:	12V-24V/110V/220-240V
Refrigerant:	R134a
Product(W/D/H):	710*520*845
Packing(W/D/H):	750*570*880
Weight(Net/Gross)Kgs:	33/36
Loading quantity(40HQ)	190 Sets

12-24V 110V 220-240V 50-60Hz



BD-208

Features

Ice pack	Optional
Interior lighting	Optional
Interior Glass Door	Optional
Store-more Removable Basket	1
Condenser(Interior/External)	Optional
Defrost water Drain	Yes
Lid handle	Yes
Lock&Key	Yes
Power-on light	Yes

Specifications

Total Capacity:	208L
Voltage Rating:	12V-24V/110V/220-240V
Refrigerant:	R134a
Product(W/D/H):	875*520*845
Packing(W/D/H):	917*570*880
Weight(Net/Gross)Kgs:	39/42
Loading quantity(40HQ)	154 Sets

12-24V 110V 220-240V 50-60Hz



BD-238

Features

Ice pack	Optional
Interior lighting	Optional
Interior Glass Door	Optional
Store-more Removable Basket	1
Condenser(Interior/External)	Optional
Defrost water Drain	Yes
Lid handle	Yes
Lock&Key	Yes
Power-on light	Yes

Specifications

Total Capacity:	238L
Voltage Rating:	12V-24V/110V/220-240V
Refrigerant:	R134a
Product(W/D/H):	990*555*845
Packing(W/D/H):	1035*605*880
Weight(Net/Gross)Kgs:	43/46
Loading quantity(40HQ)	123 Sets

- 12-24V
- 110V
- 220-240V
- 50-60Hz



BD-308

Features

Ice pack	Optional
Interior lighting	Optional
Interior Glass Door	Optional
Store-more Removable Basket	1
Condenser(Interior/External)	Optional
Defrost water Drain	Yes
Lid handle	Yes
Lock&Key	Yes
Power-on light	Yes

Specifications

Total Capacity:	308L
Voltage Rating:	12V-24V/110V/220-240V
Refrigerant:	R134a
Product(W/D/H):	1145*555*845
Packing(W/D/H):	1190*630*880
Weight(Net/Gross)Kgs:	50/53
Loading quantity(40HQ)	105 Sets

- 12-24V
- 110V
- 220-240V
- 50-60Hz



BD-258

Features

Ice pack	Optional
Interior lighting	Optional
Interior Glass Door	Optional
Store-more Removable Basket	1
Condenser(Interior/External)	Optional
Defrost water Drain	Yes
Lid handle	Yes
Lock&Key	Yes
Power-on light	Yes

Specifications

Total Capacity:	258L
Voltage Rating:	12V-24V/110V/220-240V
Refrigerant:	R134a
Product(W/D/H):	1035*555*845
Packing(W/D/H):	1080*605*880
Weight(Net/Gross)Kgs:	46/49
Loading quantity(40HQ)	123 Sets

- 12-24V
- 110V
- 220-240V
- 50-60Hz



BD-358

Features

Ice pack	Optional
Interior lighting	Optional
Interior Glass Door	Optional
Store-more Removable Basket	1
Condenser(Interior/External)	Optional
Defrost water Drain	Yes
Lid handle	Yes
Lock&Key	Yes
Power-on light	Yes

Specifications

Total Capacity:	358L
Voltage Rating:	12V-24V/110V/220-240V
Refrigerant:	R134a
Product(W/D/H):	1245*585*845
Packing(W/D/H):	1290*635*880
Weight(Net/Gross)Kgs:	55/58
Loading quantity(40HQ)	81 Sets

- 12-24V
- 110V
- 220-240V
- 50-60Hz



DOUBLE TOP OPEN DOOR

BD-408

Features

Ice pack	Optional
Interior lighting	Optional
Interior Glass Door	Optional
Store-more Removable Basket	1
Condenser(Interior/External)	Optional
Defrost water Drain	Yes
Lid handle	Yes
Lock&key	Yes
Power-on light	Yes

Specifications

Total Capacity:	408L
Voltage Rating:	12V-24V/110V/220-240V
Refrigerant:	R134a
Product(W/D/H)	1350*585*845
Packing(W/D/H)	1390*640*880
Weight(Net/Gross)Kgs	59/62
Loading quantity(40HQ)	75 Sets

12-24V 110V 220-240V 50-60Hz



DOUBLE TOP OPEN DOOR

BD-538

Features

Ice pack	Optional
Interior lighting	Optional
Interior Glass Door	Optional
Store-more Removable Basket	1
Condenser(Interior/External)	Optional
Defrost water Drain	Yes
Lid handle	Yes
Lock&key	Yes
Power-on light	Yes

Specifications

Total Capacity:	538L
Voltage Rating:	12V-24V/110V/220-240V
Refrigerant:	R134a
Product(W/D/H)	1600*675*845
Packing(W/D/H)	1640*750*880
Weight(Net/Gross)Kgs	85/89
Loading quantity(40HQ)	65 Sets

12-24V 110V 220-240V 50-60Hz



BD-450

Features

Ice pack	Optional
Interior lighting	Optional
Interior Glass Door	Optional
Store-more Removable Basket	1
Condenser(Interior/External)	Optional
Defrost water Drain	Yes
Lid handle	Yes
Lock&key	Yes
Power-on light	Yes

Specifications

Total Capacity:	450L
Voltage Rating:	12V-24V/110V/220-240V
Refrigerant:	R134a
Product(W/D/H)	1400*635*845
Packing(W/D/H)	1440*690*880
Weight(Net/Gross)Kgs	73/76
Loading quantity(40HQ)	72 Sets

12-24V 110V 220-240V 50-60Hz



BD-788

Features

Ice pack	Optional
Interior lighting	Optional
Interior Glass Door	Optional
Store-more Removable Basket	1
Condenser(Interior/External)	Optional
Defrost water Drain	Yes
Lid handle	Yes
Lock&key	Yes
Power-on light	Yes

Specifications

Total Capacity:	788L
Voltage Rating:	12V-24V/110V/220-240V
Refrigerant:	R134a
Product(W/D/H)	1965*762*845
Packing(W/D/H)	2005*840*880
Weight(Net/Gross)Kgs	115/120
Loading quantity(40HQ)	42Sets

12-24V 110V 220-240V 50-60Hz



DOUBLE TOP OPEN DOOR

BD-1280

Features

Ice pack	Optional
Adjustable Temperature Control	Yes
Store-more Removable Basket	2
Condenser(Interior/External)	Optional
Defrost water Drain	Yes
Lid handle	Yes
Lock&key	Yes
Power-on light	Optional

Specifications

Total Capacity:	1280L
Voltage Rating:	12V/110V/220-240V
Refrigerant:	R134a
Product(W/D/H):	2300*950*880
Packing(W/D/H):	2350*1100*930
Weight(Net/Gross)Kgs:	150/160
Loading quantity(40HQ):	22 Sets

12-24V 110V 220-240V 50-60Hz



DOUBLE TEMPERATURE

BCD-178	875*520*845
BCD-198	955*520*845
BCD-308	1145*555*845
BCD-338	1245*585*845
BCD-368	1350*585*845
BCD-408	1400*635*845



CURVED GLASS DOOR SHOWCASE

SD-158Y

Features

Ice pack	Optional
Adjustable Temperature Control	Yes
Store-more Removable Basket	1
Condenser(Interior/External)	Optional
Defrost water Drain	Yes

Specifications

Total Capacity:	158L
Voltage Rating:	12V/110V/220-240V
Refrigerant:	R134a
Product(W/D/H):	650*620*845
Packing(W/D/H):	695*650*880
Weight(Net/Gross)Kgs:	35/39
Loading quantity(40HQ):	162 Sets

12-24V 110V 220-240V 50-60Hz



SD-158Y

Features

Ice pack	Optional
Adjustable Temperature Control	Yes
Store-more Removable Basket	1
Condenser(Interior/External)	Optional
Defrost water Drain	Yes

Specifications

Total Capacity:	158L
Voltage Rating:	12V/110V/220-240V
Refrigerant:	R134a
Product(W/D/H):	650*620*845
Packing(W/D/H):	695*650*880
Weight(Net/Gross)Kgs:	35/39
Loading quantity(40HQ):	162 Sets

12-24V 110V 220-240V 50-60Hz



SD-288Y

Features

Ice pack	Optional
Adjustable Temperature Control	Yes
Store-more Removable Basket	1
Condenser(Interior/External)	Optional
Defrost water Drain	Yes

Specifications

Total Capacity:	288L
Voltage Rating:	12V/110V/220-240V
Refrigerant:	R290/R404/R134a
Product(W/D/H):	1094*598*835
Packing(W/D/H):	1130*640*880
Weight(Net/Gross)Kgs:	63/68
Loading quantity(40HQ):	108 Sets



- 12-24V
- 110V
- 220-240V
- 50-60Hz

SD-358Y

Features

Ice pack	Optional
Adjustable Temperature Control	Yes
Store-more Removable Basket	1
Condenser(Interior/External)	Optional
Defrost water Drain	Yes

Specifications

Total Capacity:	358L
Voltage Rating:	12V/110V/220-240V
Refrigerant:	R290/R404/R134a
Product(W/D/H):	1294*598*835
Packing(W/D/H):	1350*640*880
Weight(Net/Gross)Kgs:	68/71
Loading quantity(40HQ):	78 Sets



- 12-24V
- 110V
- 220-240V
- 50-60Hz

SD-408Y

Features

Ice pack	Optional
Adjustable Temperature Control	Yes
Store-more Removable Basket	1
Condenser(Interior/External)	Optional
Defrost water Drain	Yes

Specifications

Total Capacity:	405L
Voltage Rating:	12V/110V/220-240V
Refrigerant:	R290/R404/R134a
Product(W/D/H):	1239*694*850
Packing(W/D/H):	1325*770*880
Weight(Net/Gross)Kgs:	70/73
Loading quantity(40HQ):	81 Sets



SD-588Y

Features

Ice pack	Optional
Adjustable Temperature Control	Yes
Store-more Removable Basket	1
Condenser(Interior/External)	Optional
Defrost water Drain	Yes

Specifications

Total Capacity:	358L
Voltage Rating:	12V/110V/220-240V
Refrigerant:	R290/R404/R134a
Product(W/D/H):	1500*660*810
Packing(W/D/H):	1560*720*860
Weight(Net/Gross)Kgs:	78/81
Loading quantity(40HQ):	66 Sets



SD-1500D

Features

Adjustable Temperature Control	Yes
Removable shelf	Optional
Sticker	Optional

Specifications

Total Capacity:	460L
Voltage Rating:	110V/220-240V
Refrigerant:	R134a
Product(W/D/H):	1500*880*820
Packing(W/D/H):	1630*990*990
Weight(Net/Gross)Kgs:	100/120
Loading quantity(40HQ):	28 Sets



*** 110V 220-240V 50-60Hz

SD-1800D

Features

Adjustable Temperature Control	Yes
Removable shelf	Optional
Sticker	Optional

Specifications

Total Capacity:	550L
Voltage Rating:	110V/220-240V
Refrigerant:	R134a
Product(W/D/H):	1800*880*820
Packing(W/D/H):	1900*990*990
Weight(Net/Gross)Kgs:	110/130
Loading quantity(40HQ):	24 Sets



*** 110V 220-240V 50-60Hz

SD-2000D

Features

Adjustable Temperature Control	Yes
Removable shelf	Optional
Sticker	Optional
Color:	White/Yellow/Red

Specifications

Total Capacity:	650L
Voltage Rating:	110V/220-240V
Refrigerant:	R290/R404/R134a
Product(W/D/H):	2000*930*820
Packing(W/D/H):	2160*1070*1010
Weight(Net/Gross)Kgs:	130/150
Loading quantity(40HQ):	22 Sets



*** 110V 220-240V 50-60Hz

SD-2500D

Features

Adjustable Temperature Control	Yes
Removable shelf	Optional
Sticker	Optional

Specifications

Total Capacity:	820L
Voltage Rating:	110V/220-240V
Refrigerant:	R290/R404/R134a
Product(W/D/H):	2500*930*820
Packing(W/D/H):	2650*1080*990
Weight(Net/Gross)Kgs:	140/160
Loading quantity(40HQ):	16 Sets



*** 110V 220-240V 50-60Hz

SD-1.5HD

Features

Adjustable Temperature Control	Yes
Removable shelf	Optional
Sticker	Optional

Specifications

Total Capacity:	460L
Voltage Rating:	110V/220-240V
Refrigerant:	R134a
Product(W/D/H):	1500*880*1250
Packing(W/D/H):	1550*950*1350
Weight(Net/Gross)Kgs:	110/130
Loading quantity(40HQ):	28 Sets



SD-1.8HD

Features

Adjustable Temperature Control	Yes
Removable shelf	Optional
Sticker	Optional

Specifications

Total Capacity:	550L
Voltage Rating:	110V/220-240V
Refrigerant:	R134a
Product(W/D/H):	1800*880*1250
Packing(W/D/H):	1850*950*1350
Weight(Net/Gross)Kgs:	120/140
Loading quantity(40HQ):	24 Sets



SD-2.0HD

Features

Adjustable Temperature Control	Yes
Removable shelf	Optional
Sticker	Optional

Specifications

Total Capacity:	650L
Voltage Rating:	110V/220-240V
Refrigerant:	R290/R404/R134a
Product(W/D/H):	2000*930*1250
Packing(W/D/H):	2070*1000*1350
Weight(Net/Gross)Kgs:	140/160
Loading quantity(40HQ):	22 Sets



SD-2.5HD

Features

Adjustable Temperature Control	Yes
Removable shelf	Optional
Sticker	Optional

Specifications

Total Capacity:	820L
Voltage Rating:	110V/220-240V
Refrigerant:	R290/R404/R134a
Product(W/D/H):	2500*930*1250
Packing(W/D/H):	2570*1000*1350
Weight(Net/Gross)Kgs:	150/170
Loading quantity(40HQ):	16 Sets



SD-1500ZH

Features

Adjustable Temperature Control	Yes
Shelf	Optional
Defrost water Drain	Yes

Specifications

Total Capacity:	580L
Voltage Rating:	110V/220-240V
Refrigerant:	R290/R404/R134a
Product(W/D/H):	1500*880*840
Packing(W/D/H):	1530*955*950
Weight(Net/Gross)kgs:	100/110
Loading quantity(40HQ):	45 Sets



SD-1900ZH

Features

Adjustable Temperature Control	Yes
Shelf	Optional
Defrost water Drain	Yes

Specifications

Total Capacity:	680 L
Voltage Rating:	110V/ 220-240V
Refrigerant:	R290/R404/R134a
Product(W/D/H):	1870*880*840
Packing(W/D/H):	1920*955*950
Weight(Net/Gross)kgs:	200/210
Loading quantity(40HQ):	42 Sets



SD-2100ZH

Features

Adjustable Temperature Control	Yes
Shelf	Optional
Defrost water Drain	Yes

Specifications

Total Capacity:	720 L
Voltage Rating:	110V/ 220-240V
Refrigerant:	R290/R404/R134a
Product(W/D/H):	2115*880*840
Packing(W/D/H):	2175*955*950
Weight(Net/Gross)kgs:	420/430
Loading quantity(40HQ):	24 Sets



SD-2500ZH

Features

Adjustable Temperature Control	Yes
Shelf	Optional
Defrost water Drain	Yes

Specifications

Total Capacity:	820 L
Voltage Rating:	110V/ 220-240V
Refrigerant:	R290/R404/R134a
Product(W/D/H):	2500*880*840
Packing(W/D/H):	2575*955*950
Weight(Net/Gross)kgs:	580 /590
Loading quantity(40HQ):	16 Sets





LC/S-270

Features

Adjustable Temperature Control	Yes
Interior lighting	Optional
Specifications	
Cooler Capacity:	200L
Freezer Capacity:	70L
Voltage Rating:	110V/220-240V
Refrigerant:	R134a
Product(W/D/H):	595*587*1720
Packing(W/D/H):	650*620*1800
Weight(Net/Gross)Kgs:	58/60
Loading quantity(40HQ):	76 Sets

- 12-24V
- 110V
- 220-240V
- 50-60Hz



LC/D-40

Features

Adjustable Temperature Control	Yes
Interior lighting	Optional
Shelf	2
Power-on light	Yes
Specifications	
Total Capacity:	40L
Voltage Rating:	110V/220-240V
Refrigerant:	R134a
Product(W/D/H):	440*415*733
Packing(W/D/H):	464*481*787
Weight(Net/Gross)Kgs:	20/24
Loading quantity(40HQ):	360 Sets

- 12-24V
- 110V
- 220-240V
- 50-60Hz



LC/S-320

Features

Adjustable Temperature Control	Yes
Interior lighting	Optional
Specifications	
Cooler Capacity:	250L
Freezer Capacity:	70L
Voltage Rating:	110V/220-240V
Refrigerant:	R134a
Product(W/D/H):	595*587*1920
Packing(W/D/H):	660*635*2000
Weight(Net/Gross)Kgs:	65/68
Loading quantity(40HQ):	76 Sets

- 12-24V
- 110V
- 220-240V
- 50-60Hz



LC/D-228

Features

Adjustable Temperature Control	Yes
Interior lighting	Optional
Shelf	3
Power-on light	Yes
Specifications	
Total Capacity:	228L
Voltage Rating:	110V/220-240V
Refrigerant:	R134a
Product(W/D/H) :	555*520*1760
Packing(W/D/H):	630*580*1850
Weight(Net/Gross)Kgs:	45/48
Loading quantity(40HQ):	100 Sets

- 12-24V
- 110V
- 220-240V
- 50-60Hz



LC/D-278

Features

Adjustable Temperature Control	Yes
Interior lighting	Optional
Shelf	4
Power-on light	Yes

Specifications

Total Capacity:	278L
Voltage Rating:	110V/220-240V
Refrigerant:	R134a
Product(W/D/H):	555*570*1800
Packing(W/D/H):	585*620*1880
Weight(Net/Gross)Kgs:	50/55
Loading quantity(40HQ):	100 Sets

- 12-24V
- 110V
- 220-240V
- 50-60Hz



LC/S-1000HK

Features

Adjustable Temperature Control	Yes
Interior lighting	Optional
Shelf	4
Power-on light	Yes

Specifications

Total Capacity:	600L
Voltage Rating:	110V/220-240V
Refrigerant:	R134a
Product(W/D/H):	1000*650*1920
Packing(W/D/H):	1100*640*2000
Weight(Net/Gross)Kgs:	85/95
Loading quantity(40HQ):	48 Sets

- ***
- 110V
- 220-240V
- 50-60Hz



LC/D-358

Features

Adjustable Temperature Control	Yes
Interior lighting	Optional
Shelf	4
Power-on light	Yes

Specifications

Total Capacity:	358L
Voltage Rating:	110V/220-240V
Refrigerant:	R134a
Product(W/D/H):	595*570*1920
Packing(W/D/H):	645*620*2000
Weight(Net/Gross)Kgs:	62/65
Loading quantity(40HQ):	76 Sets

- 12-24V
- 110V
- 220-240V
- 50-60Hz



LC/S-1100HK

Features

Adjustable Temperature Control	Yes
Interior lighting	Optional
Shelf	4
Power-on light	Yes

Specifications

Total Capacity:	660L
Voltage Rating:	110V/220-240V
Refrigerant:	R134a
Product(W/D/H):	1100*650*1920
Packing(W/D/H):	1200*640*2000
Weight(Net/Gross)Kgs:	95/105
Loading quantity(40HQ):	48 Sets

- ***
- 110V
- 220-240V
- 50-60Hz

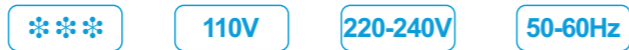
LC/S-1200HK

Features

Adjustable Temperature Control	Yes
Interior lighting	Optional
Shelf	4
Power-on light	Yes

Specifications

Total Capacity:	750L
Voltage Rating:	110V/220-240V
Refrigerant:	R134a
Product(W/D/H):	1200*650*1920
Packing(W/D/H):	1300*640*2000
Weight(Net/Gross)Kgs:	110/120
Loading quantity(40HQ):	36 Sets



LC/S-1800HK

Features

Adjustable Temperature Control	Yes
Interior lighting	Optional
Shelf	4
Power-on light	Yes

Specifications

Total Capacity:	1150L
Voltage Rating:	110V/220-240V
Refrigerant:	R134a
Product(W/D/H):	1800*650*1920
Packing(W/D/H):	1900*640*2000
Weight(Net/Gross)Kgs:	145/160
Loading quantity(40HQ):	18 Sets



LC/S-1500HK

Features

Adjustable Temperature Control	Yes
Interior lighting	Optional
Shelf	4
Power-on light	Yes

Specifications

Total Capacity:	950L
Voltage Rating:	110V/220-240V
Refrigerant:	R134a
Product(W/D/H):	1500*650*1920
Packing(W/D/H):	1600*640*2000
Weight(Net/Gross)Kgs:	130/140
Loading quantity(40HQ):	25 Sets



LSCD-1200

Features

Adjustable Temperature Control	Yes
Interior lighting	Optional
Shelf	2
Power-on light	Yes

Specifications

Voltage Rating:	110V/220-240V
Refrigerant:	R134a
Product(W/D/H):	1200*650*1200
Packing(W/D/H):	1300*750*1300
Weight(Net/Gross)Kgs:	150/170
Loading quantity(40HQ):	54 Sets



LSCD-1500

Features

Adjustable Temperature Control	Yes
Interior lighting	Optional
Shelf	2
Power-on light	Yes

Specifications

Voltage Rating:	110V/220-240V
Refrigerant:	R134a
Product(W/D/H):	1500*650*1200
Packing(W/D/H):	1600*750*1300
Weight(Net/Gross)Kgs:	200/220
Loading quantity(40HQ):	43 Sets



- ***
- 110V
- 220-240V
- 50-60Hz

LSCD-1800

Features

Adjustable Temperature Control	Yes
Interior lighting	Optional
Shelf	2
Power-on light	Yes

Specifications

Voltage Rating:	110V/220-240V
Refrigerant:	R134a
Product(W/D/H):	1800*650*1200
Packing(W/D/H):	1900*750*1300
Weight(Net/Gross)Kgs:	250/275
Loading quantity(40HQ):	36 Sets



- ***
- 110V
- 220-240V
- 50-60Hz

LSCD-2000F

Features

Super strong cooling ability and preminent system matching, complete safety precautions makes the products with high quality. Enough space to show product It has cool air distribution technology, copper tubes with super large evaporation area, fast refrigeration, even cooling air, with good effect of conservation.

Specifications

Product size:	2000*980*2060
Volume:	900L
Voltage:	220V
Power:	1700W
Light Power:	196W
Showing area:	2.5m ³
Loading quantity (40HQ):	14 sets



- ***
- 110V
- 220-240V
- 50-60Hz

LSCD-2500F

Features

Super strong cooling ability and preminent system matching, complete safety precautions makes the products with high quality. Enough space to show product It has cool air distribution technology, copper tubes with super large evaporation area, fast refrigeration, even cooling air, with good effect of conservation.

Specifications

Product size:	2500*980*2060
Volume:	1150L
Voltage:	220V
Power:	1900W
Showing area:	2.8m ³
Loading quantity in a 40HQ:	9 sets



- ***
- 110V
- 220-240V
- 50-60Hz

TOP OPEN DOOR FRAME

TEMPERATURE CONTROL PANEL



F004-A top open door frame

SIZE(MM)	Model	Foaming layer
1245*585	258L	60MM
1350*585	278L	
1400*635	358L	



F007-A top open door frame

SIZE(MM)	Model	Foaming layer
875*521	168L	60MM
955*521	188L	
1035*555	208L	
1145*555	228L	



F013 curved glass door frame

SIZE(MM)	Model	Foaming layer
1094*598		65MM
1294*598		



F005 top open door frame

SIZE(MM)	Model	Foaming layer
875*521	168L	60MM
955*521	188L	
1035*555	208L	
1145*555	238L	



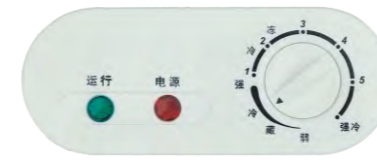
F014 top open door frame

SIZE(MM)	Model	Foaming layer
515*525	108L	60MM
610*525	120L	
710*515	158L	
738*535	140L	
870*535	150L	
1100*585	310L	



F020-B top open door frame

SIZE(MM)	Model	Foaming layer
1070*565	218L	70MM
1185*565	238L	
1265*598	268L	
1294*598	268L	



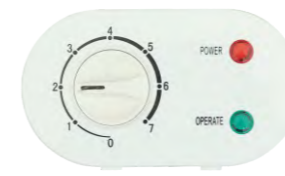
G001
192×76mm



G002
192×76mm



G003
192×76mm



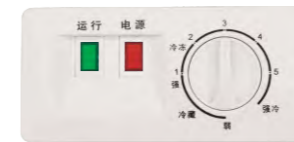
G004
140×78mm



G005



G006



G008
150×70mm



G009
230×60mm



G010
175×55mm



G011
175×55mm



G012
165×85mm



G013
130×55mm



G014



G015
150×80mm



G016
200×140mm

DOOR HANDLE



L001 295mm L002 241mm L003 248mm L004 340mm



L005 355mm L006 230mm L007 300mm L008 338mm



L009 L010 L011 L012

WHEELS/HINGES



J001 1.5 Inch J003 3.0 Inch J004 4.0 Inch



J005 1.5 Inch J006 2.5 Inch J007 2.0 Inch J008 1.5 Inch



J009 J010 J011 2.0 Inch J012



N001 150×42×30 N003 140×38×27 N004 175×50×45 N005 185×50×45



N006 175×65×35 N007 120×38×20 N011 165×43×30 N012 175×47×35